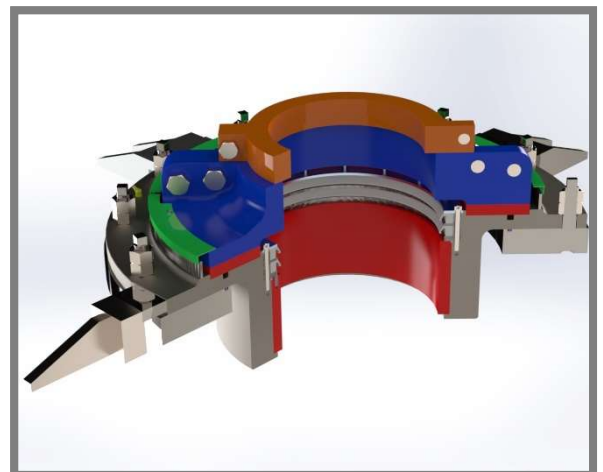


Hi-CARRIER® RUDDER CARRIER

Hi-CARRIER®

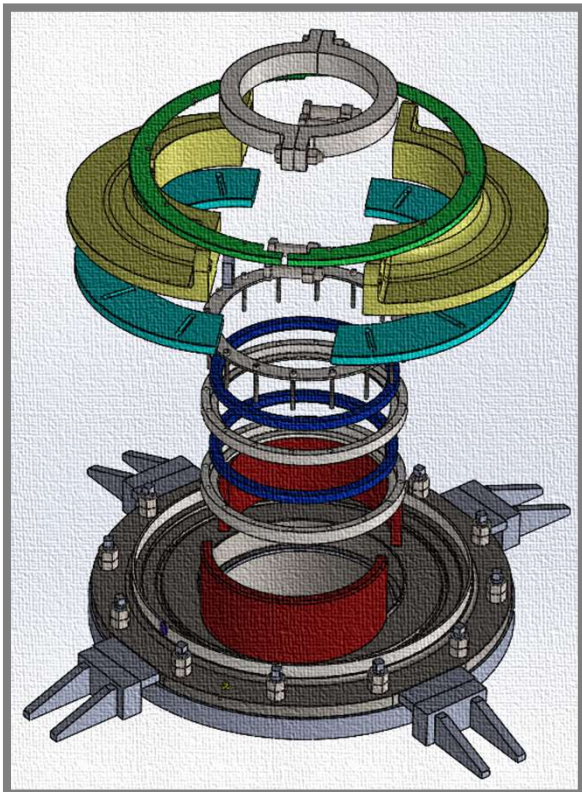
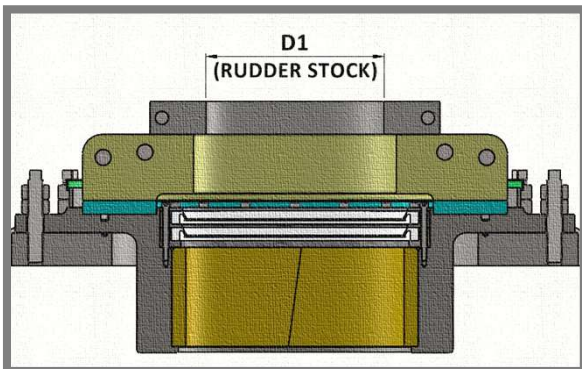
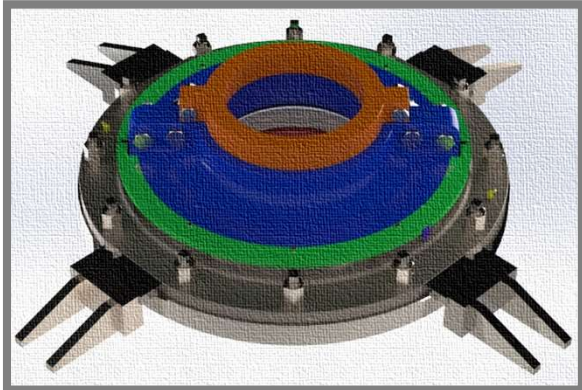
State-of-the-Art Ship's Rudder Carrier

High
Reliability
Safety
Valuable



Easy
Maintenance
Installation
Leakage detection





TYPE	D1 (mm)	AXIAL FORCE (KN)	RADIAL FORCE (KN)
HiCA-25	200~250	1200	400
HiCA-28	255~280	1300	480
HiCA-31	285~310	1450	540
HiCA-34	315~340	1600	610
HiCA-38	345~380	1750	680
HiCA-42	385~420	1900	780
HiCA-46	425~460	2100	860
HiCA-50	465~500	2200	960
HiCA-54	505~540	2400	1050
HiCA-60	545~600	2800	1170
HiCA-65	605~650	3000	1280
HiCA-70	655~700	3200	1400

Features

- Easy to install on field
- Replaceable bearing and seal without disassembly of rudder system
- Maintainable on the S/G deck
- Leakage detection by alarm system (Option)
- Type approved Bearing
- Ideal for the low-height S/G room

+82 51782 0969	korea@movena-group.com	www.movena-group.com www.movena-korea.com

Centum IS Tower Rm 1902, #60, Centumbukdae-ro, Haeundae-gu, Busan, Korea